



**ЛЮБИМЫЙ ДОМ**  
МЕБЕЛЬ



**LUBIDOM**  
furniture

Комплект фасадов шкафа

**Мокка** ЛД.274240.000-для посуды 600 тип 2 без духовки  
(исполнение 3-4)

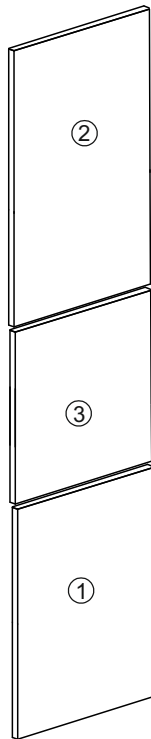
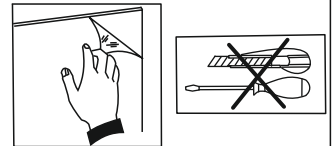
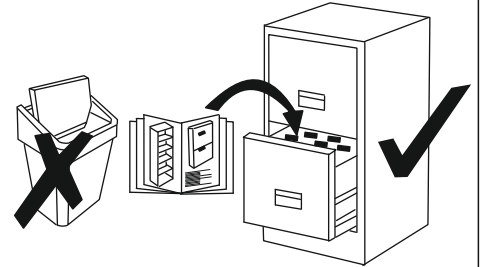
**Мокка** LD.274240.000 Front set of doors cupboard  
(exicution 3-4) - 600 type 2 without oven

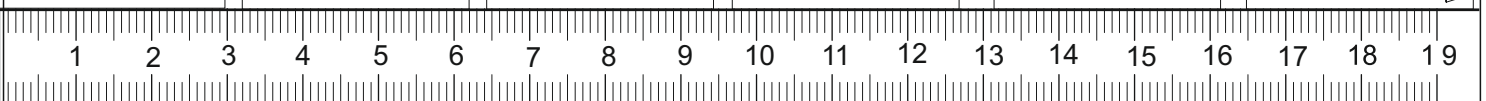
	596
	2079
	16



+ 3,5x13	3,5x13	
a x3	c x12	d x12


	0h40min		600mm	0.5kg	3m				

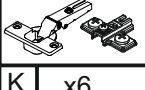
①	274050.000	1	1	
②	274231.000	1	1	
③	274241.000	1	1	

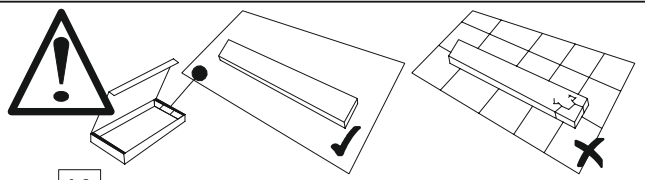


	3,5x13		
c	x12	d	x12

 LD.270290.000

	x6
-----------------------------------------------------------------------------------	----



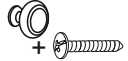
L

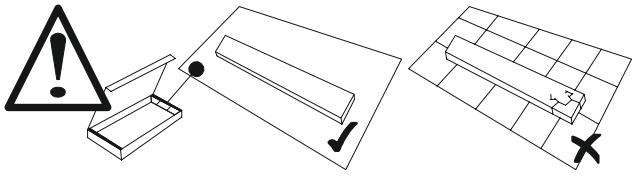
Diagram L shows three panels (1, 2, 3) being assembled. Brackets labeled 'K' are being attached to each panel. Two circular callouts with warning symbols show a close-up of the bracket being secured to a panel with a screw. A separate inset diagram shows the assembly of a bracket 'K' with screws 'c' and washers 'd'.

R

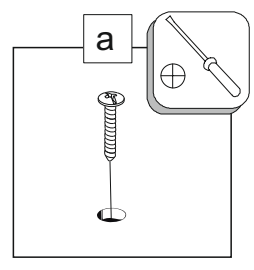
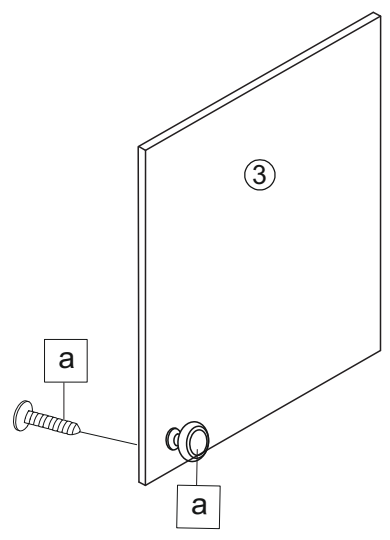
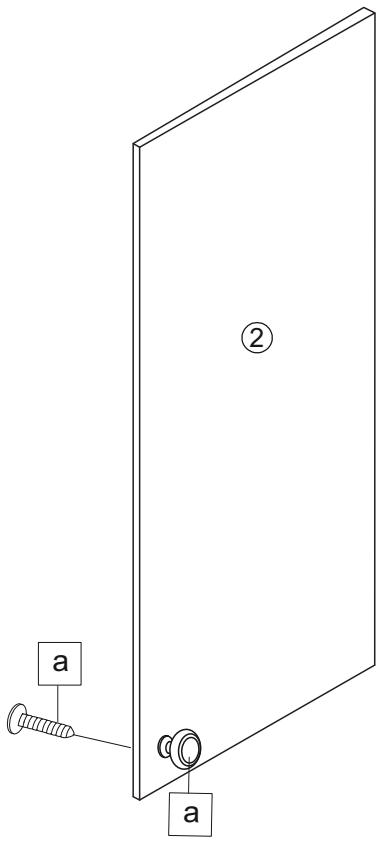
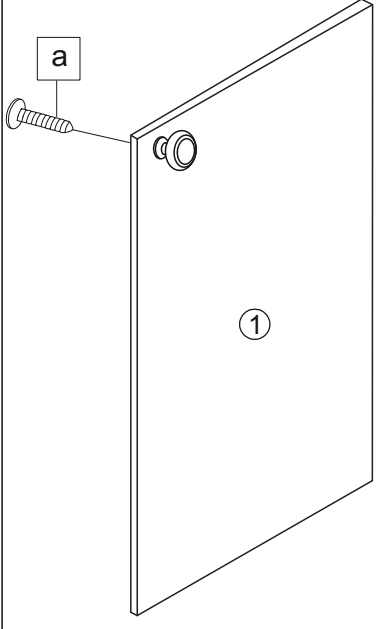
Diagram R shows three panels (1, 2, 3) being assembled. Brackets labeled 'K' are being attached to each panel. Two circular callouts with warning symbols show a close-up of the bracket being secured to a panel with a screw. A separate inset diagram shows the assembly of a bracket 'K' with screws 'c' and washers 'd'.

LD.274240.000-2/4

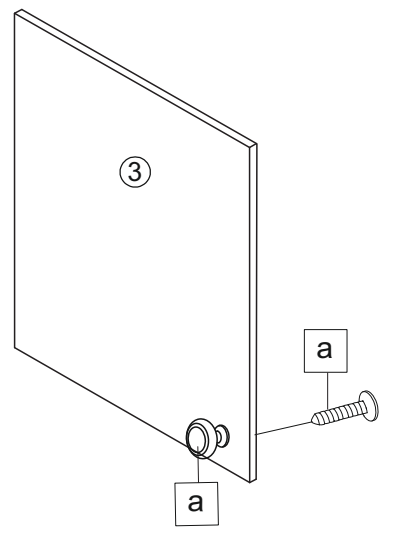
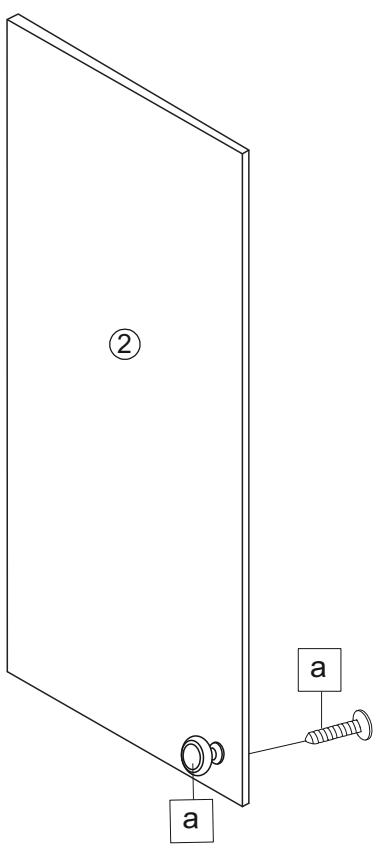
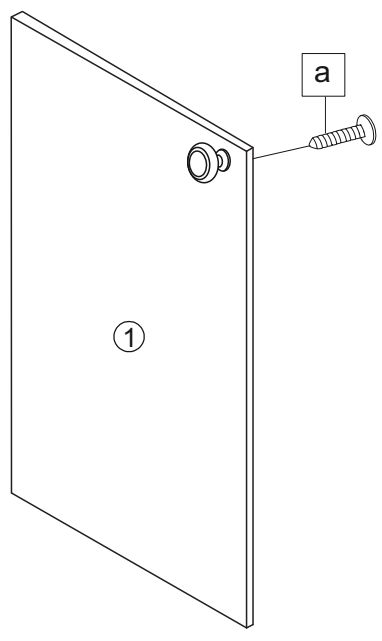

a x3



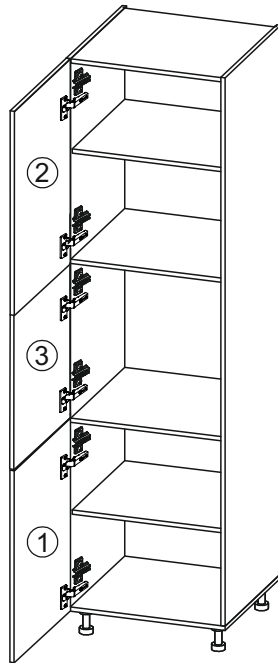
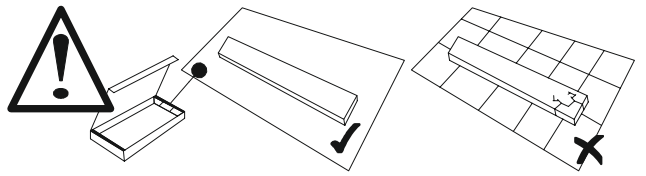
R



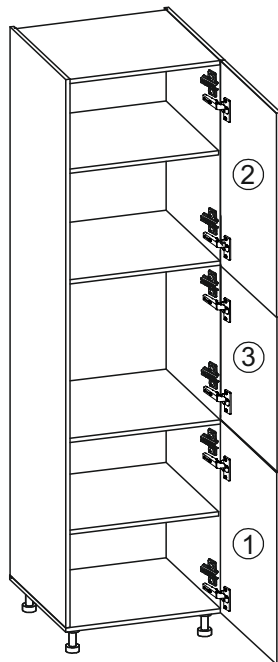
L



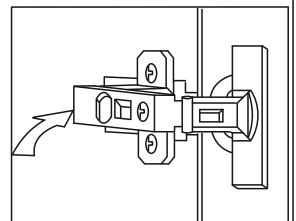
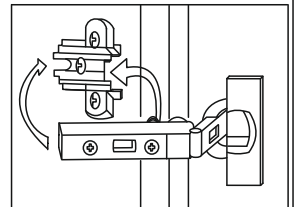
L



R



Монтаж



Демонтаж

